

1

2

3

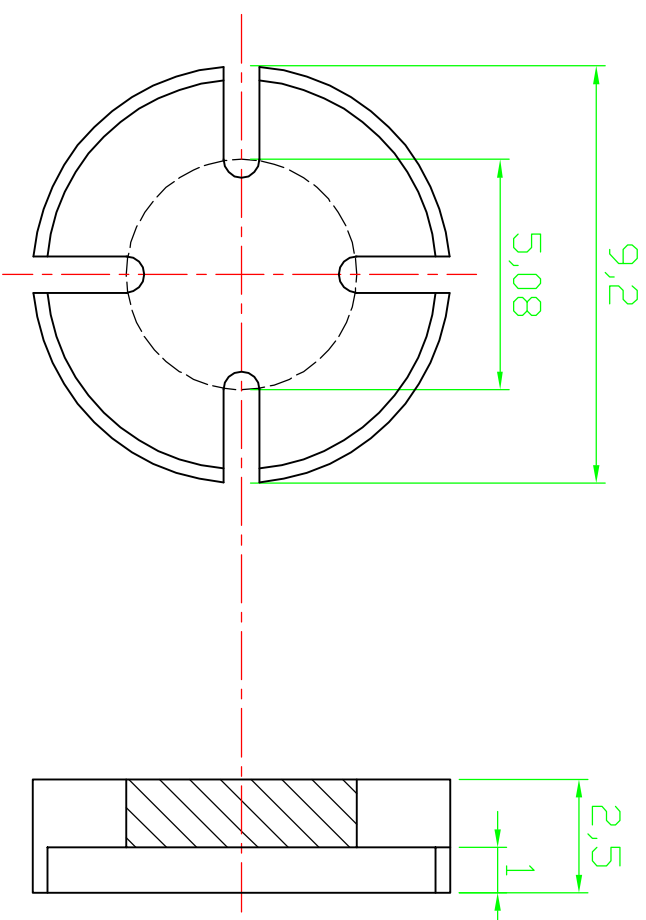
4

5

6

7

RoHS compliant



RoHS compliant  
Unit:mm

Material : POLYPROPYLEN

Scale	1:1										
TOLERANCE											
X.	±X					Drawn	Date	Name			
X.X	±X					Approved	31.05.2011	Andy			
X.XX	±X	③	Material add.	31.05.2011	Schulz						
DIM	TOL	②	Modify drawing layout	10.03.2010	Alex						
X. °	±X°	①	Drawn	20.08.2009	Dean						
X.X°	±X°										
Angle	TOL	Id.	Modification	Date	Name						



Customer-No.			
ASSMANN WSW-No.	V/4555		
Drawing-No.	ASS 0924 HS	rev03	
Replace		Sheet	

1

2

3

4

5

6

7

A	RoHS compliant							A																																																																															
B								B																																																																															
C								C																																																																															
D								D																																																																															
E								E																																																																															
F	<p>RoHS compliant</p> <p>Unit:mm</p> <p>Material : POLYPROPYLEN</p>							F																																																																															
G	<table border="1"> <tr> <td>Scale</td> <td>1:1</td> <td></td> <td></td> <td></td> <td></td> <td></td> <td></td> </tr> <tr> <td>TOLERANCE</td> <td></td> <td></td> <td></td> <td></td> <td></td> <td></td> <td></td> </tr> <tr> <td>X.</td> <td>±X</td> <td></td> <td></td> <td></td> <td></td> <td>Drawn</td> <td>Date</td> <td>Name</td> </tr> <tr> <td>X.X</td> <td>±X</td> <td></td> <td></td> <td></td> <td></td> <td>Approved</td> <td>31.05.2011</td> <td>Andy</td> </tr> <tr> <td>X.XX</td> <td>±X</td> <td>③</td> <td>Material add.</td> <td>31.05.2011</td> <td>Schulz</td> <td></td> <td></td> <td></td> </tr> <tr> <td>DIM</td> <td>TOL</td> <td>②</td> <td>Modify drawing layout</td> <td>10.03.2010</td> <td>Alex</td> <td></td> <td></td> <td></td> </tr> <tr> <td>X. °</td> <td>±X°</td> <td>①</td> <td>Drawn</td> <td>20.08.2009</td> <td>Dean</td> <td></td> <td></td> <td></td> </tr> <tr> <td>X.X°</td> <td>±X°</td> <td></td> <td></td> <td></td> <td></td> <td></td> <td></td> <td></td> </tr> <tr> <td>Angle</td> <td>TOL</td> <td>Id.</td> <td>Modification</td> <td>Date</td> <td>Name</td> <td></td> <td></td> <td></td> </tr> </table>							Scale	1:1							TOLERANCE								X.	±X					Drawn	Date	Name	X.X	±X					Approved	31.05.2011	Andy	X.XX	±X	③	Material add.	31.05.2011	Schulz				DIM	TOL	②	Modify drawing layout	10.03.2010	Alex				X. °	±X°	①	Drawn	20.08.2009	Dean				X.X°	±X°								Angle	TOL	Id.	Modification	Date	Name				G
Scale	1:1																																																																																						
TOLERANCE																																																																																							
X.	±X					Drawn	Date	Name																																																																															
X.X	±X					Approved	31.05.2011	Andy																																																																															
X.XX	±X	③	Material add.	31.05.2011	Schulz																																																																																		
DIM	TOL	②	Modify drawing layout	10.03.2010	Alex																																																																																		
X. °	±X°	①	Drawn	20.08.2009	Dean																																																																																		
X.X°	±X°																																																																																						
Angle	TOL	Id.	Modification	Date	Name																																																																																		
H	<table border="1"> <tr> <td>Customer-No.</td> <td></td> <td></td> <td></td> </tr> <tr> <td>ASSMANN WSW-No.</td> <td>V/4555</td> <td></td> <td></td> </tr> <tr> <td>Drawing-No.</td> <td>ASS 0924 HS</td> <td>rev03</td> <td></td> </tr> <tr> <td>Replace</td> <td></td> <td>Sheet</td> <td></td> </tr> </table>							Customer-No.				ASSMANN WSW-No.	V/4555			Drawing-No.	ASS 0924 HS	rev03		Replace		Sheet		H																																																															
Customer-No.																																																																																							
ASSMANN WSW-No.	V/4555																																																																																						
Drawing-No.	ASS 0924 HS	rev03																																																																																					
Replace		Sheet																																																																																					